

SCANPARTNER 10 USER MANUAL



ScanPartner[™]
10

NOTICE
FCC CLASS B COMPUTING DEVICES

THIS EQUIPMENT HAS BEEN TESTED AND FOUND TO COMPLY WITH THE LIMITS FOR A CLASS B DIGITAL DEVICE, PURSUANT TO PART 15 OF THE FCC RULES. THESE LIMITS ARE DESIGNED TO PROVIDE REASONABLE PROTECTION AGAINST HARMFUL INTERFERENCE IN A RESIDENTIAL INSTALLATION. THIS EQUIPMENT GENERATES, USES AND CAN RADIATE RADIO FREQUENCY ENERGY AND, IF NOT INSTALLED AND USED IN ACCORDANCE WITH THE INSTRUCTIONS, MAY CAUSE HARMFUL INTERFERENCE TO RADIO COMMUNICATION. HOWEVER, THERE IS NO GUARANTEE THAT INTERFERENCE WILL NOT OCCUR IN A PARTICULAR INSTALLATION. IF THIS EQUIPMENT DOES CAUSE HARMFUL INTERFERENCE TO RADIO OR TELEVISION RECEPTION, WHICH CAN BE DETERMINED BY TURNING THE EQUIPMENT OFF AND ON, THE USER IS ENCOURAGED TO ATTEMPT TO CORRECT THE INTERFERENCE BY ONE OR MORE OF THE FOLLOWING MEASURES:

- REORIENT OR RELOCATE THE RECEIVING ANTENNA.
- INCREASE THE SEPARATION BETWEEN THE EQUIPMENT AND RECEIVER.
- CONNECT THE EQUIPMENT TO AN OUTLET ON A SEPARATE OR DEDICATED CIRCUIT.
- CONSULT THE DEALER OR AN EXPERIENCED RADIO/TV TECHNICIAN FOR HELP.

CAUTION: ANY CHANGES OF MODIFICATIONS NOT EXPRESSLY APPROVED BY THE GUARANTEE OF THIS DEVICE COULD VOID THE USER'S AUTHORITY TO OPERATE THE EQUIPMENT.



ScanPartner 10 Image Scanner User's Manual

TABLE OF CONTENTS

Chapter 1	General.....	3
Chapter 2	Scanner Installation.....	3
Chapter 3	Operation	14
Chapter 4	Replacement of Lamp Units	19
Chapter 5	Paper Jams	28
Chapter 6	Diagnostics	31



CHAPTER 1 GENERAL

The ScanPartner 10 Image Scanner reads image information on a document and inputs the information into the host computer. The image scanner consists of the image reading mechanism, document feed mechanism, microprocessor control circuit, and power supply.

The features of ScanPartner 10 are :

- * Ability to read A4/LTR size documents using the flat-bed and legal size documents using the Automatic Document Feeder.
- * High-speed reading (10 ppm @ 200 dpi resolution in binary mode)
- * High-resolution reading (Max. 300 dpi).
- * Compact desktop size.
- * Built-in Automatic Document Feeder (ADF) of 50-page capacity.

CHAPTER 2 SCANNER INSTALLATION

2.1 Selecting a Location

Follow these precautions when selecting an installation site for the scanner.

- * Avoid locations where excess vibration may occur.
- * Avoid direct sunlight.
- * Avoid excessive humidity and dust.
- * Use the proper AC power source.

2.2 Unpacking Procedure

Unpack the scanner according to the following procedure.

1. Remove the packing material
2. Remove the scanner from the shipping container.
3. Remove the scanner from the PVC bag.
4. Open the manual to the "CheckList" Page.
5. Check the items by referring to Figure 2.1 and the Checklist in the table below.
6. For any missing items, please contact your nearest dealer or distributor.

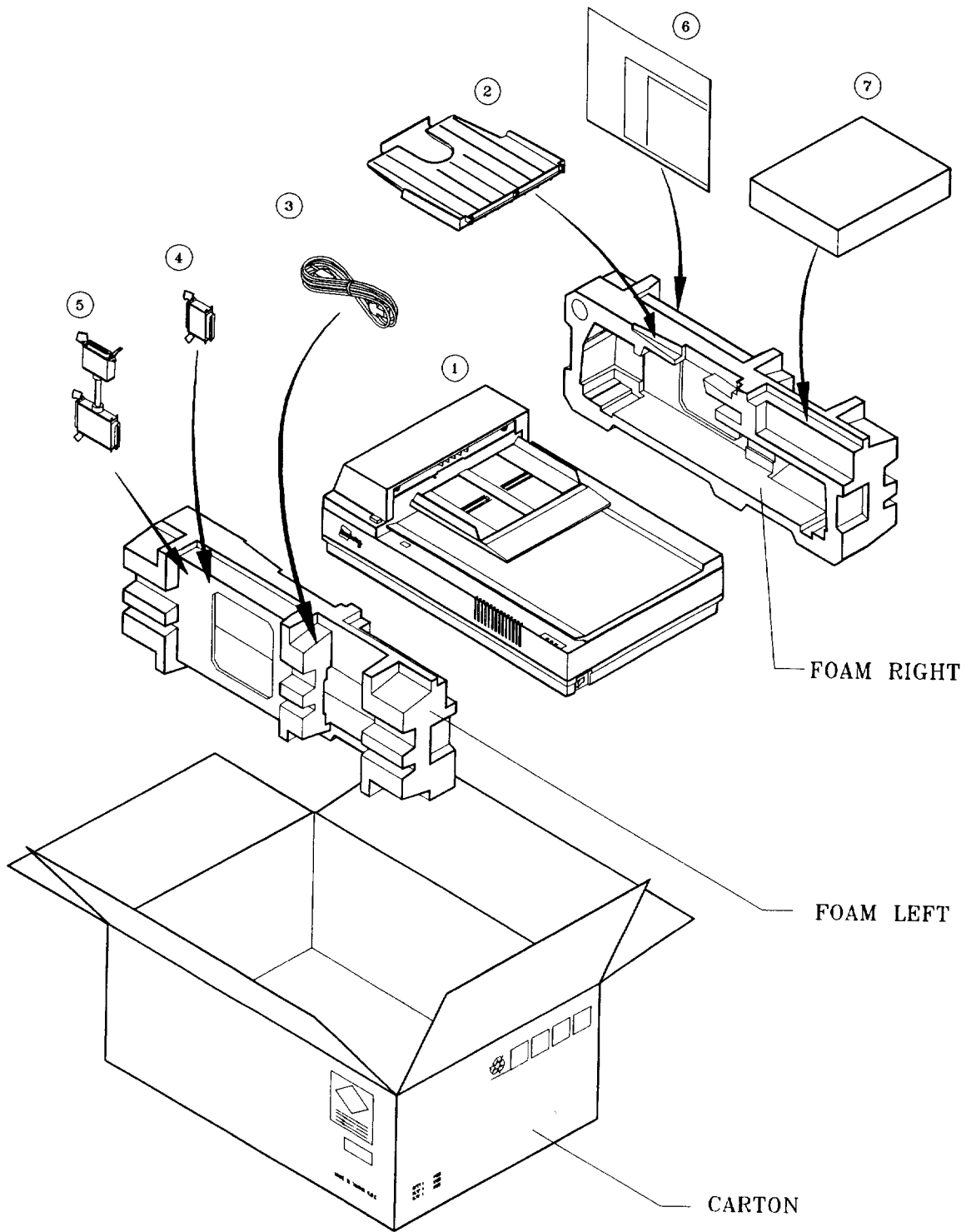


Figure 2.1 Parts in the package

Checklist

Item Number	Item Name
1	Scanner
2	ADF Output Paper Stacker
3	Power Cable
4	SCSI Terminator
5	Daisy Chain Connector
6	User's manual
7	ScanPartner PAK

2.3 Removing The Shipping Retainer

1. Place the scanner on its side as shown in Figure 2. 2a.
2. Using a screwdriver, remove the screw on the bottom of the scanner. Labeled Shipping Position.
3. Remove the shipping retainer as shown in Figure 2. 2a.
4. Insert the shipping retainer and fasten with the same screw as shown in Figure 2. 2b.
5. Return the scanner to its normal operating position.

2.4 Automatic Document Feeder (ADF)

2.4.1 ADF Input Paper Chute

1. Raise the unattached end of the input paper chute about 45° as shown in Figure 2. 3.
2. Pull the metal bracket down from the under side of the paper chute.
3. Slide the metal bracket into the grips on the document cover.
4. Pull the chute extension up as far as possible.

2.4.2 ADF Output Paper Stacker

1. Position the output paper stacker as shown in Figure 2. 4.
2. Slide the three notches on the paper stacker into the three openings below the scan exit aperture.
3. Release the stacker gently, making sure that the stacker is firmly attached to the paper scanner.
4. Pull the paper stacker extension out as far as possible.

2.5 The ScanPartner 10 Image Scanner (See Figure 2. 5, 2. 6)

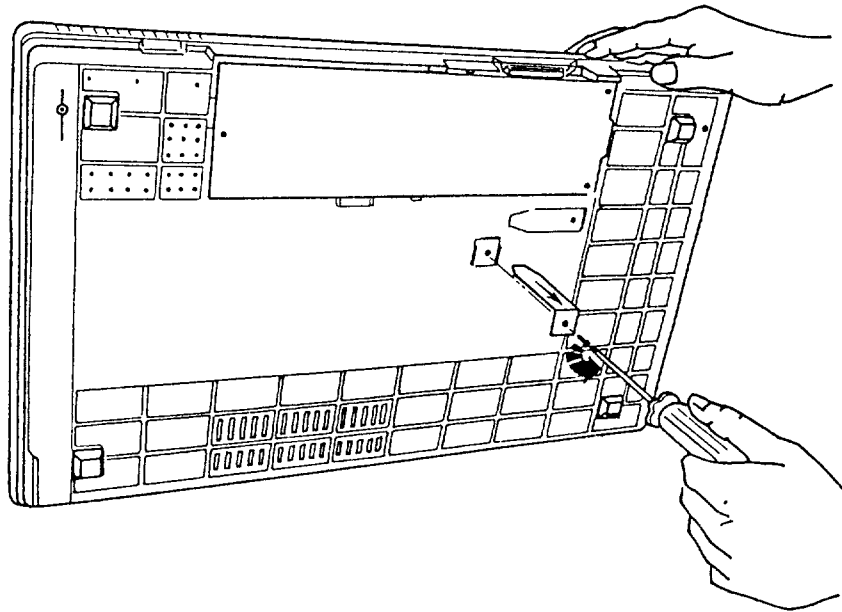


Figure 2.2a Remove the shipping retainer

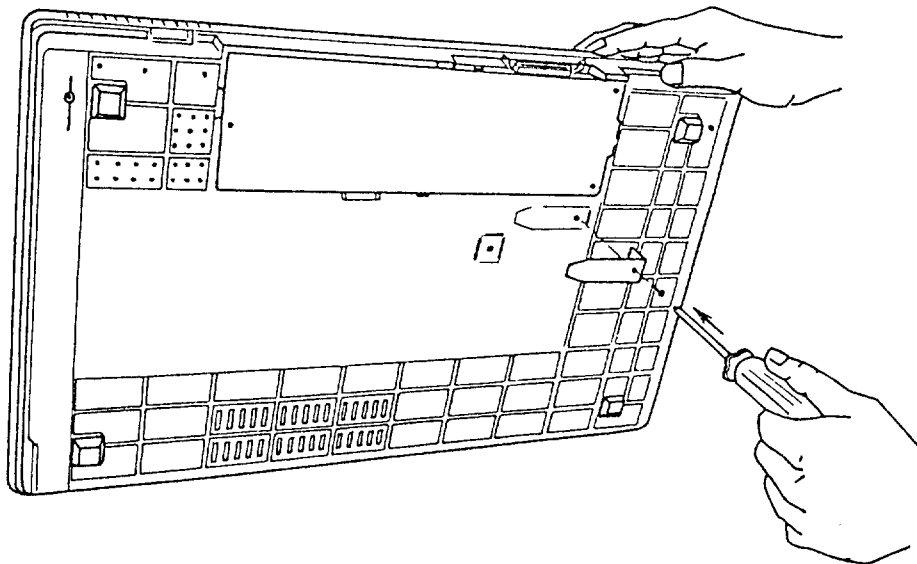


Figure 2.2b Fasten the shipping retainer

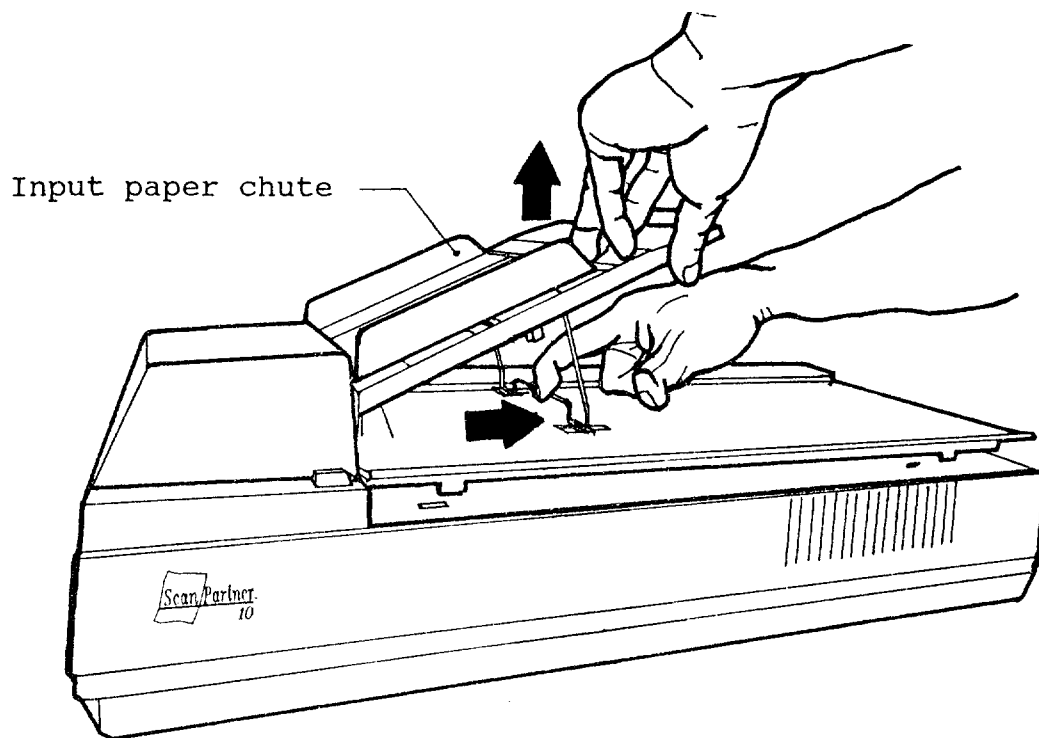


Figure 2.3 Set up the ADF input paper chute

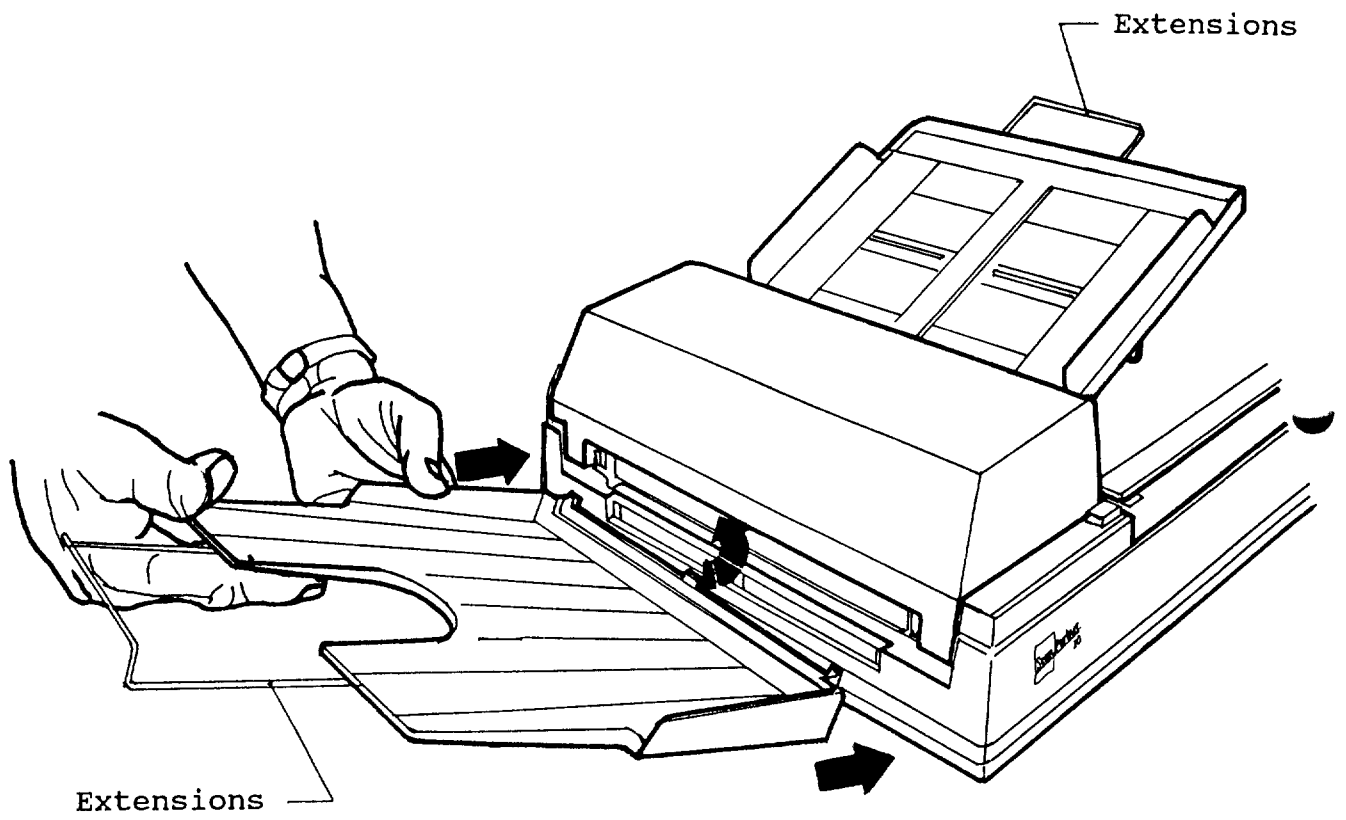


Figure 2.4 Set up the ADF output paper stacker

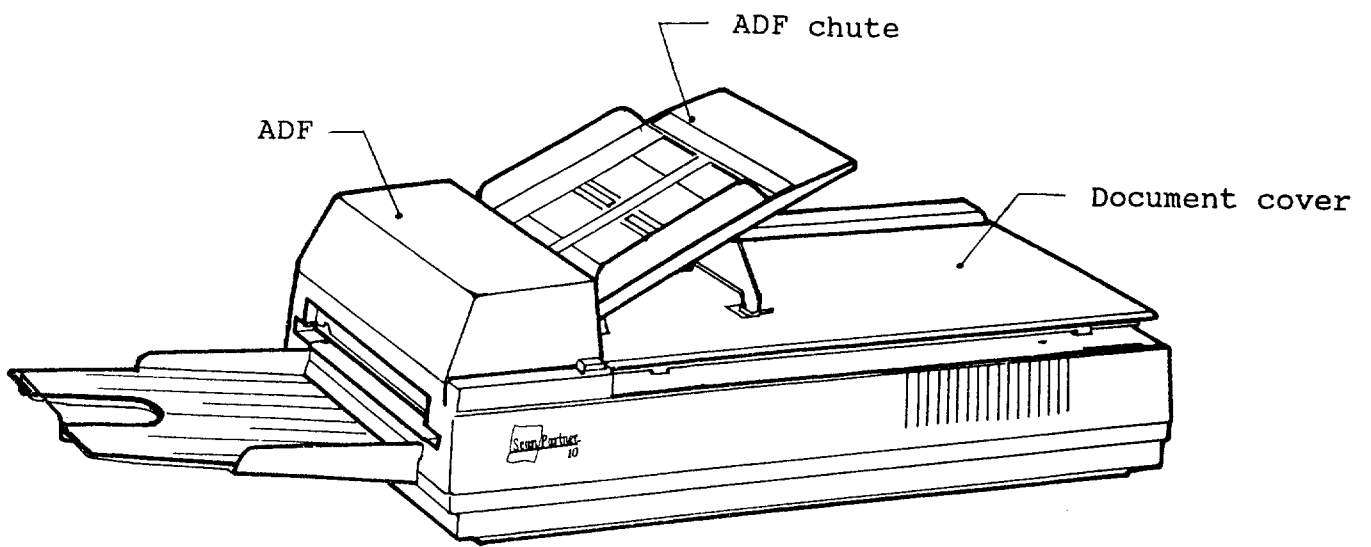


Figure 2.5 ScanPartner 10 Image Scanner,
With ADF output paper stacker

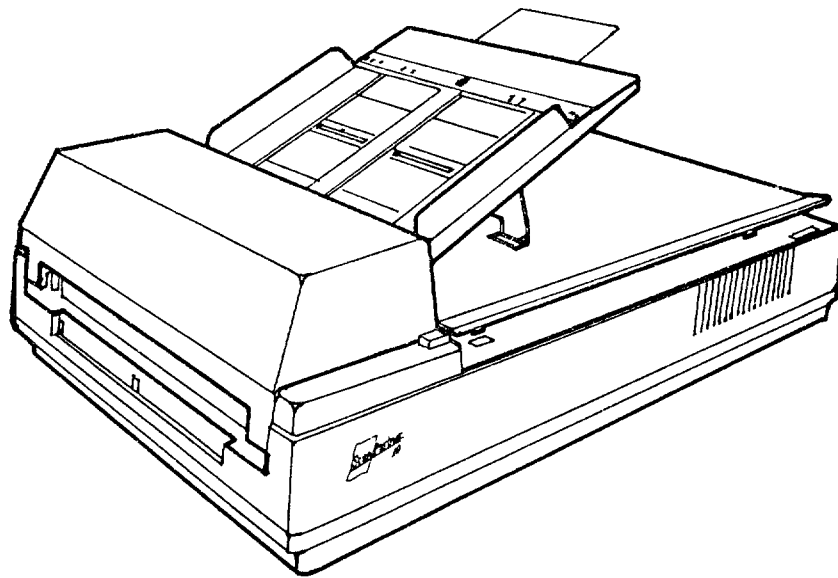


Figure 2.6 ScanPartner 10 Image Scanner,
Without ADF output paper stacker

2.6 Cable Connection

Two cables are required to operate the scanner: the SCSI signal cable and the power cable. The power cable connects the scanner to the power source. The SCSI signal cable connects the scanner to the host for image transfer.

2.6.1 Power Cable Connection

1. Remove the power cable from the PVC bag.
2. Turn the power switch to the "off" position ("0" depressed).
3. Connect the female plug of the power cable to the scanner connector, pressing firmly into place. (See Figure 2.7)
4. Connect the other end of the power cable to the power outlet, pressing firmly into place.

2.6.2 SCSI Signal Connection

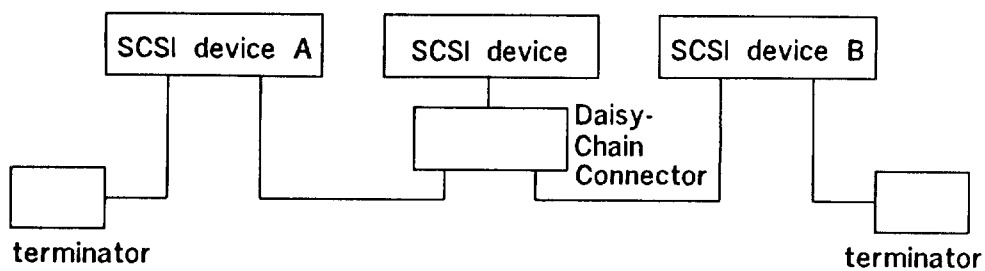
The devices linked to the SCSI interface are daisy-chained with each other. A terminator is attached to the ends of the interface cable. User can buy the SCSI cable in the computer stores. The specifications of the SCSI cable is as below:

Name: SCSI Cable
Cable Specification: 50 pins to 50 pins, shielded.
Cable Length: less than or equal to 6 meters.

SCSI Cable Connection

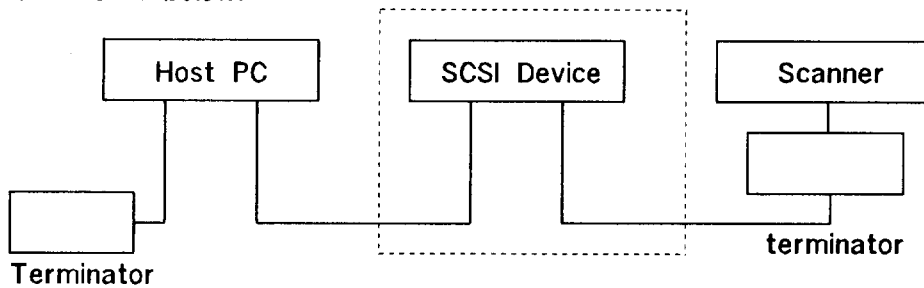
There are two configurations for the connections.

Configuration I: The number of devices attached to the SCSI bus (including the host PC) is three or above. And the scanner is located in the middle of the connection, as shown below.



1. Plug the MALE side of the "daisy-chain connector" to scanner's SCSI signal connector.
2. Plug one end of the SCSI cable into the SCSI connector of the device A, and the other end of the cable to one female connector of the Daisy-Chain connector of the scanner. As shown in Figure 2.8.
3. Plug one end of the SCSI cable into the SCSI connector of device B, and the other end of the cable to the other female connector of the Daisy-Chain connector.

Configuration II: The number of devices attached to the SCSI bus (including the host PC) is two. Or the number is three or above, and the scanner is located at the end of the connection, as shown below.



1. If there is already an other device linked to the host via SCSI cable, remove the terminator from that device. If the terminator is internal to that device, it is recommended that the connection of Configuration I be used.
2. Plug the MALE side of the terminator to scanner's SCSI signal connector.
3. Plug one end of the SCSI cable into the FEMALE side of the terminator, and the other end of the cable to one female connector of the previous device or the host.

SCSI specifications requires that:

1. Only one terminator may be attached to each end of the daisy chain.
2. The total length of the daisy chain must not exceed 6 meters. The vendor suggests that the SCSI cable be two or three meters in length to allow other device to be attached to the SCSI bus.
3. Each device on the chain will be assigned a different ID. Devices with the same SCSI ID will cause them to malfunction. Please refer to Section 3.1.1 for selecting the scanner's SCSI ID.
4. There is no restriction on the position of the devices on the daisy chain. Please see the configurations above.

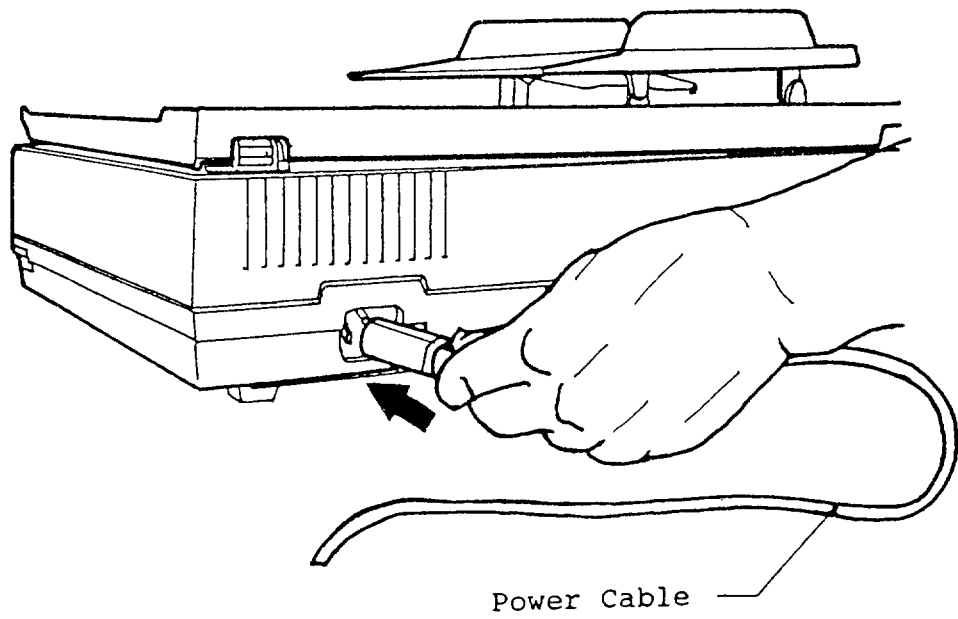


Figure 2.7 Power cable connection

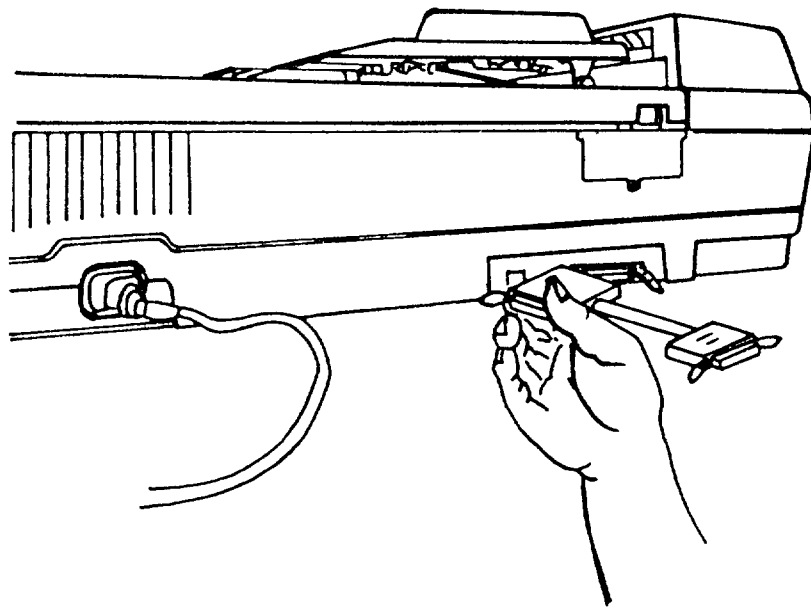


Figure 2.8 Signal cable connection

CHAPTER 3 OPERATION

3.1 Power On

1. Depress the side of the power switch marked "1".
2. Wait until the Power LED and the READY LED lights are on. If either LED fails to light or if the Paper Jam LED lights, refer to Chapter 5 for troubleshooting, as shown in Figure 3.1.

3.1.1 Select SCSI ID by turning the rotary switch in the back to a desirable SCSI ID. The scanner ships with a default setting of "6".

3.2 Scan Mode Options

The ScanPartner 10 image scanner can scan documents in two modes: The Flat-Bed mode or the automatic document feeder mode.

In Flat-Bed mode, the document cover is lifted and each page is scanned one at a time and removed manually. Flat-Bed mode is particularly useful when documents need to be scanned many times without being repositioned, are particularly delicate or small or are bound. In ADF mode, a stack of papers is scanned sequentially, without operator intervention. The ADF mode is particularly useful when multiple sheets are being scanned.

The following two subsections describe the operation of each scanning mode.

3.2.1 Flat-Bed

1. Open the document cover.
2. Place the document face down on the document board with the top edge towards the scan aperture, as shown in Figure 3.2.
3. Position the document so that its left side and top edge are in line with the ruler guides next to the scanner glass, as shown in Figure 3.3.
4. Close the document cover carefully, being sure paper is flat against the glass.
5. Start scan.
Note: Do not open the document cover during scanning.
6. When scanning completes, open the document cover carefully and remove the document.

3.2.2 Automatic Paper Feeding

1. Place the document face down in the input paper chute. (Refer to Figure 3.4 in the next page.)
2. Slide the stack forward slightly so that it rests against the ADF sensor.
3. Move the both sides of the paper guide so that they touch both sides of paper.
4. The first sheet will be automatically fed to the scanning position.
5. Start scan.

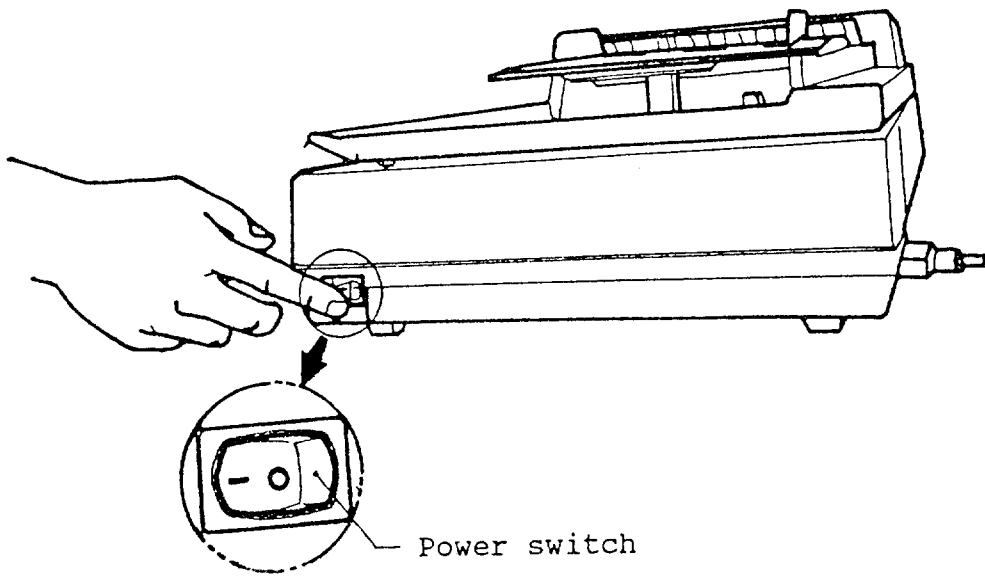


Figure 3.1 Power on

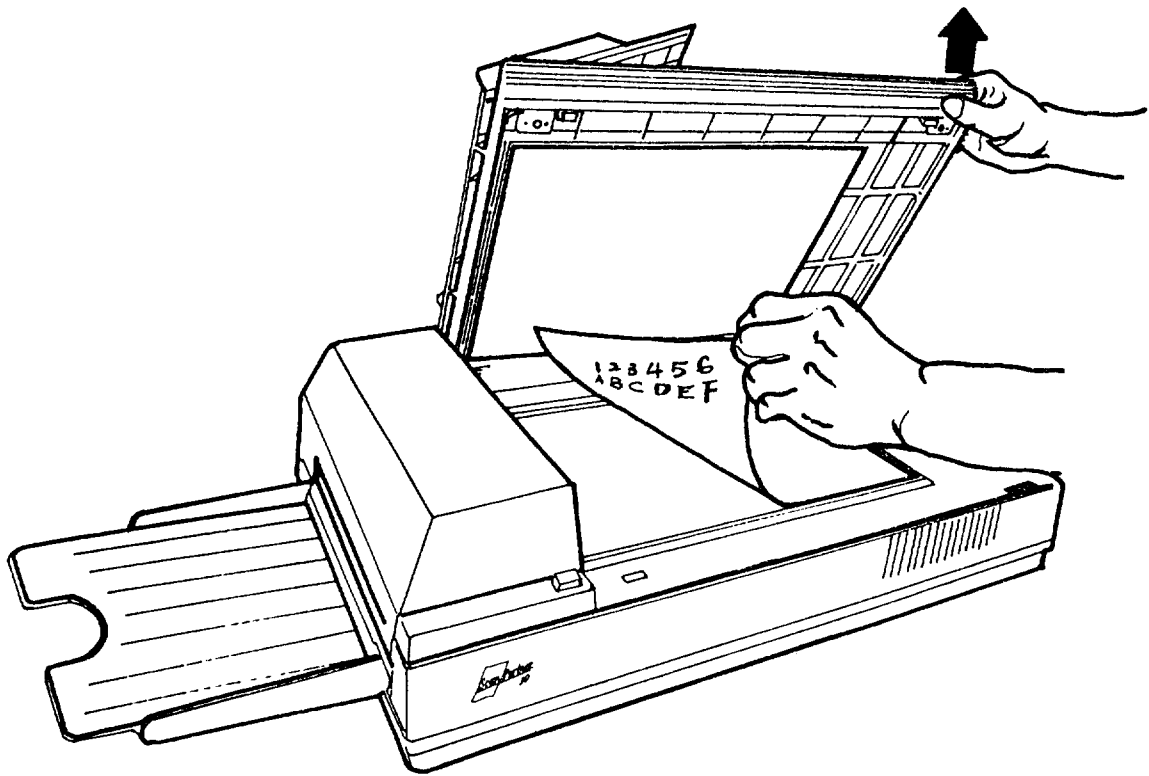


Figure 3.2 Flat-bed scanning (1)

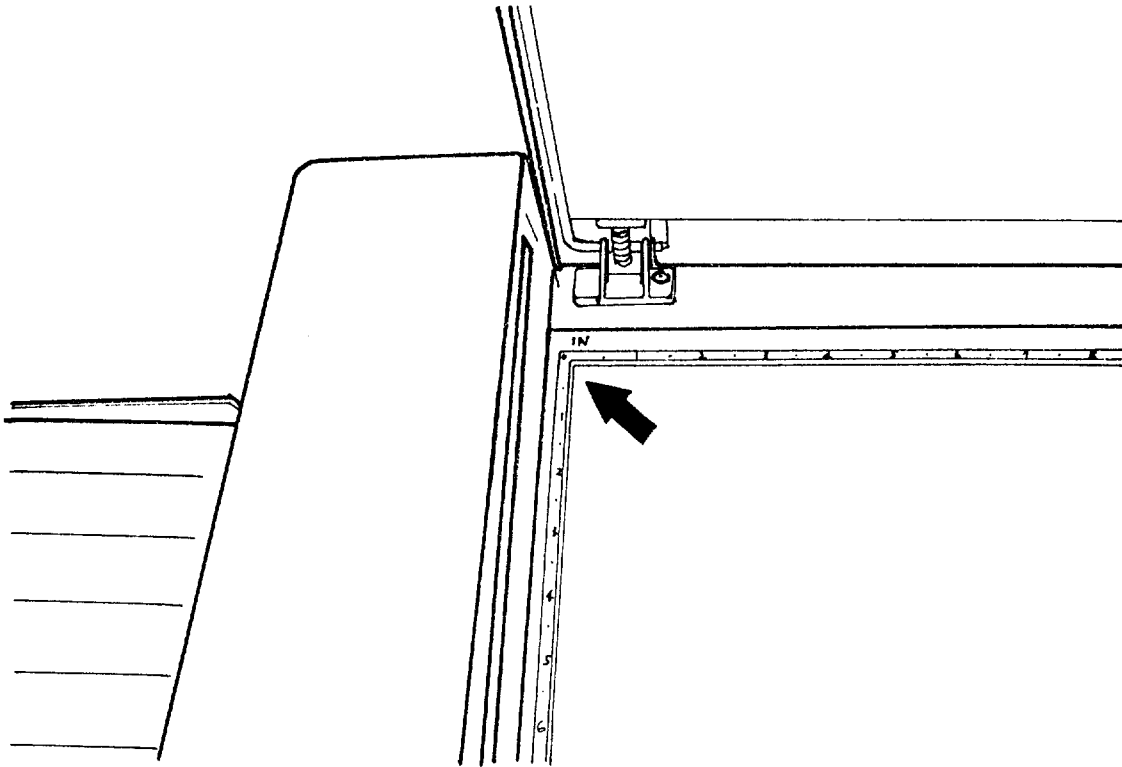


Figure 3.3 Flat-bed scanning (II)

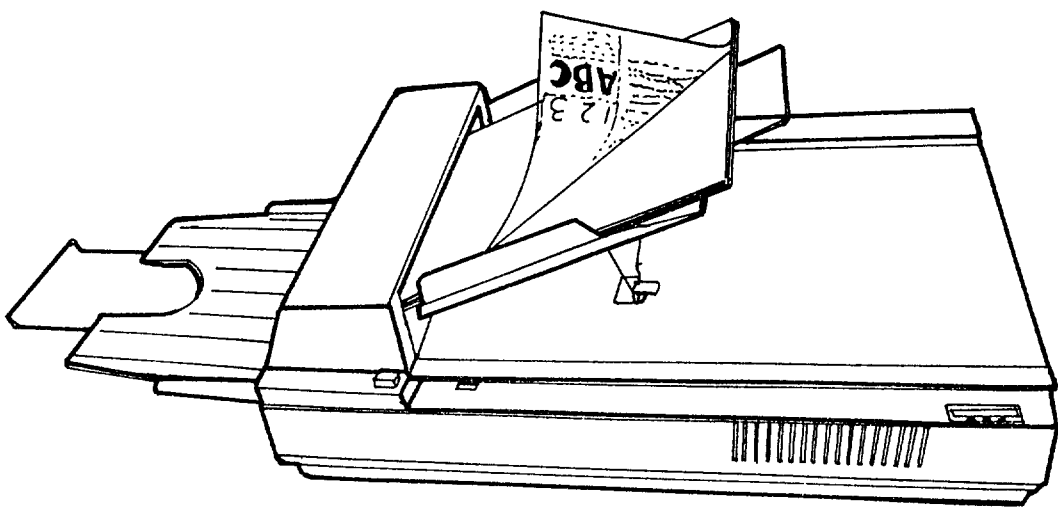


Figure 3.4 ADF scanning

CHAPTER 4 REPLACEMENT OF LAMP UNIT

4.1 Removal of Lamp

1. Turn the scanner off.
2. Raise the document cover.
3. Turn the scanner on.
4. Watch the lamp. When it is positioned at the dot between the "1" and "2", turn the scanner off again.
5. Use screwdriver to remove the screw on the bottom right of the document cover. shown in Figure 4.1.
6. Pull the spare lamp holder to the right and then towards you.
7. Remove the new lamp.
8. Close the document cover.
9. Remove the screw on the rear side of the scanner as shown in Figure 4.2.
10. Lift the rear side of the document cover, and remove the plastic plate located above the signal connector as shown in Figure 4.3.
11. Turn the copper bar counterclockwise to remove it from the scanner as shown in Figure 4.4.
12. Remove the metal plate as shown in Figure 4.5 and 4.6.
13. Remove the lamp from the scanner by pulling it straight out. If the lamp is difficult to remove, use pliers to remove it, as shown in Figure 4.7.

4.2 Installing the New Lamp

1. Insert the new lamp into the lamp holder inside the scanner.
(The lamp can be seen through the document glass.) Position the lamp so that the two pins are vertical.
2. Use the small window on the top cover towards the front to check the pin position as you slide the lamp into place.
3. Press the lamp into place so that the two pins are inserted firmly into the black bracket, as shown in Figure 4.8.
4. Insert the metal plate over the pins at the other end of the lamp.
5. Screw the copper bar into place.
6. Lift the rear side of the document cover again.
7. Place the plastic plate vertically over the lamp unit.
8. Turn the screw to fasten the plastic plate.
9. Replace the document cover.

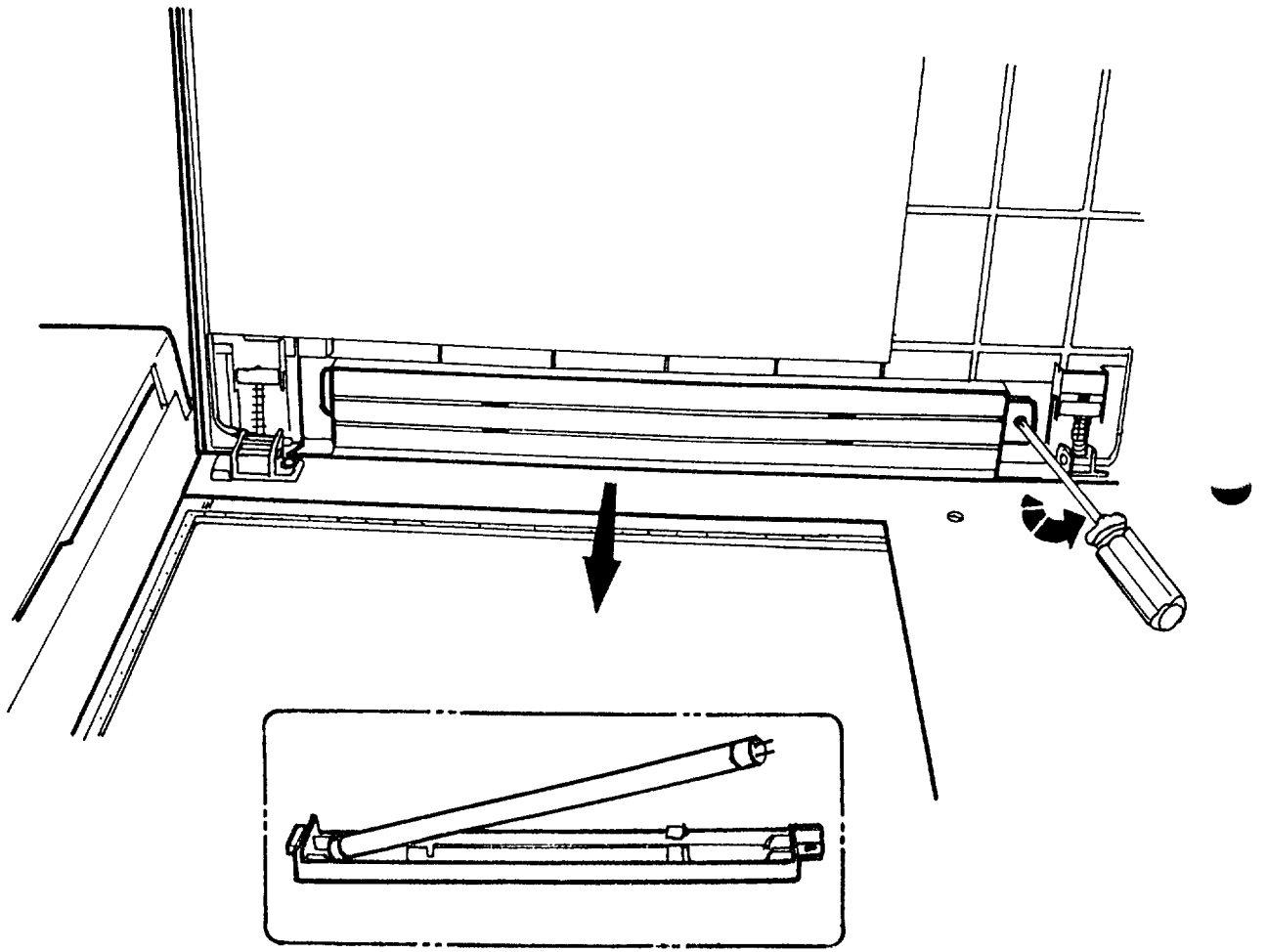


Figure 4.1 Replacement of the lamp unit:
Take out the spare lamp

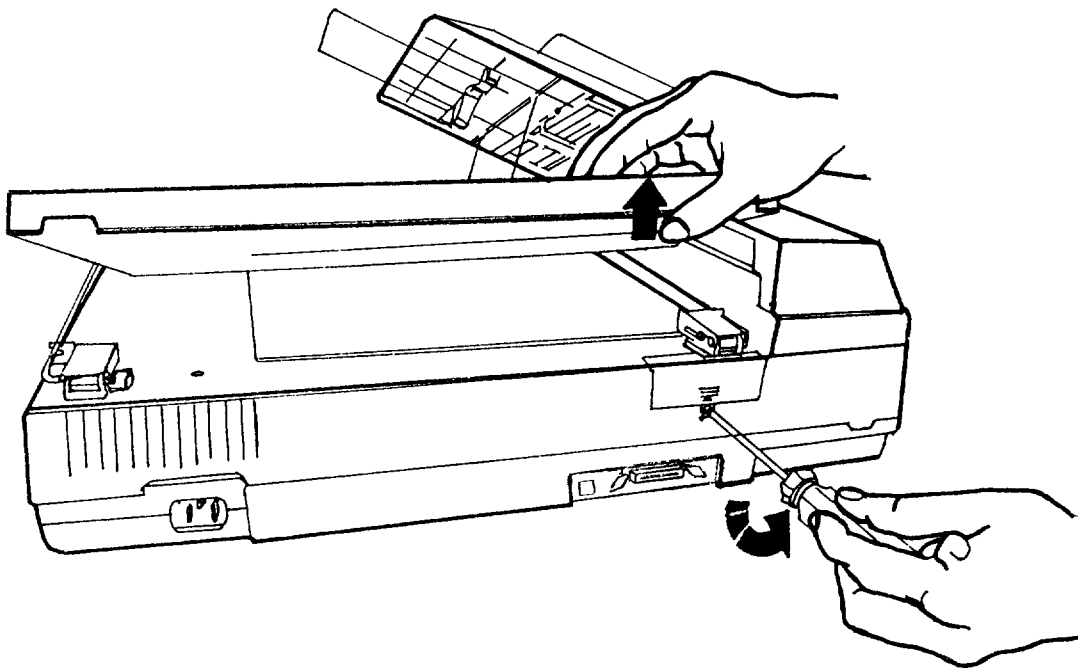


Figure 4.2 Replacement of the lamp unit:
Remove the screw

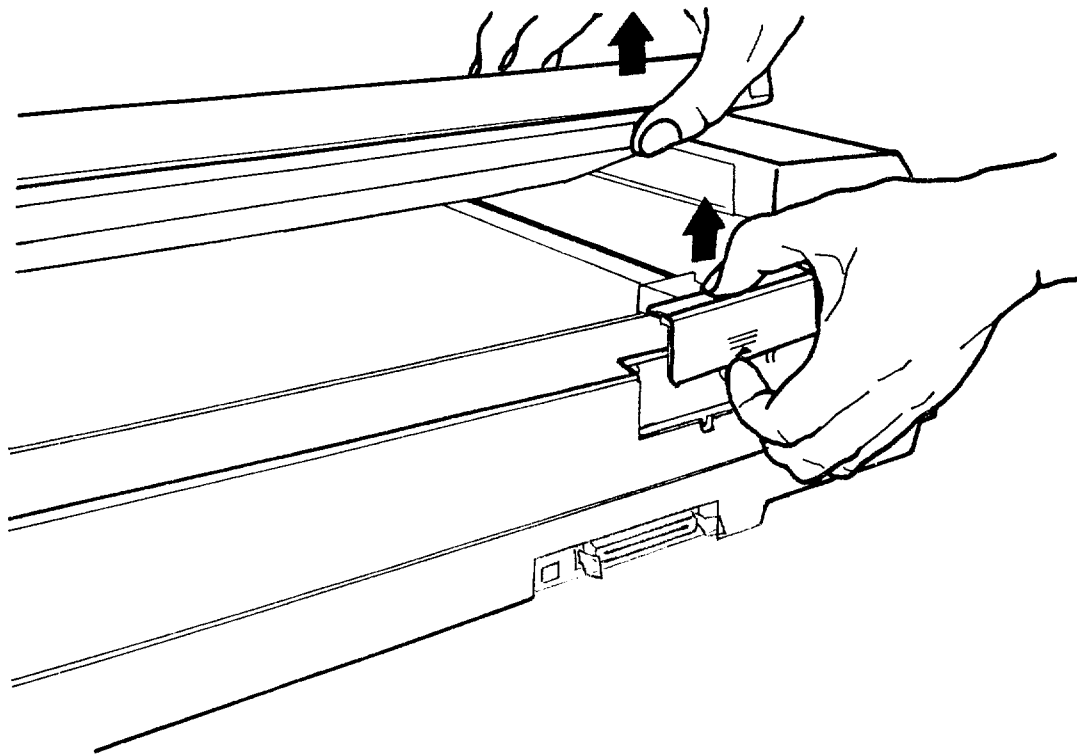


Figure 4.3 Replacement of the lamp unit:
Remove the lamp holder cover

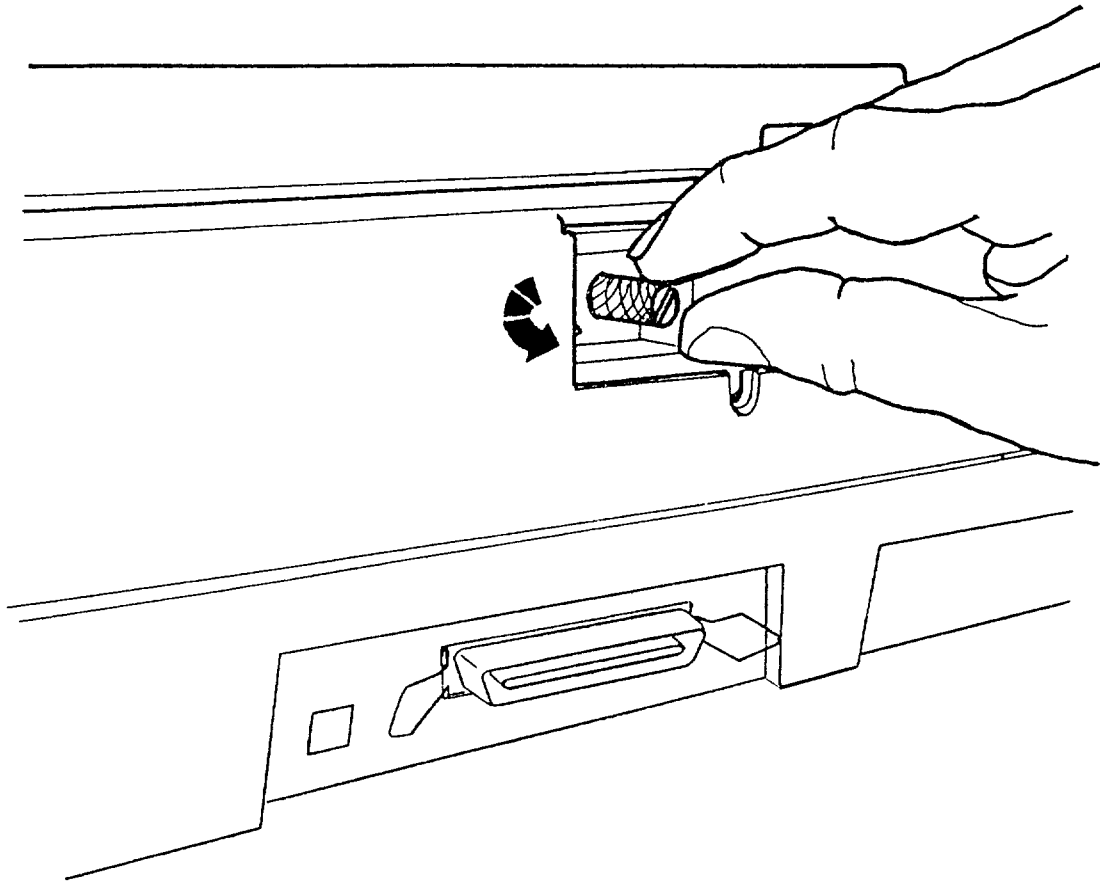


Figure 4.4 Replacement of the lamp unit:
scroll out the copper bar

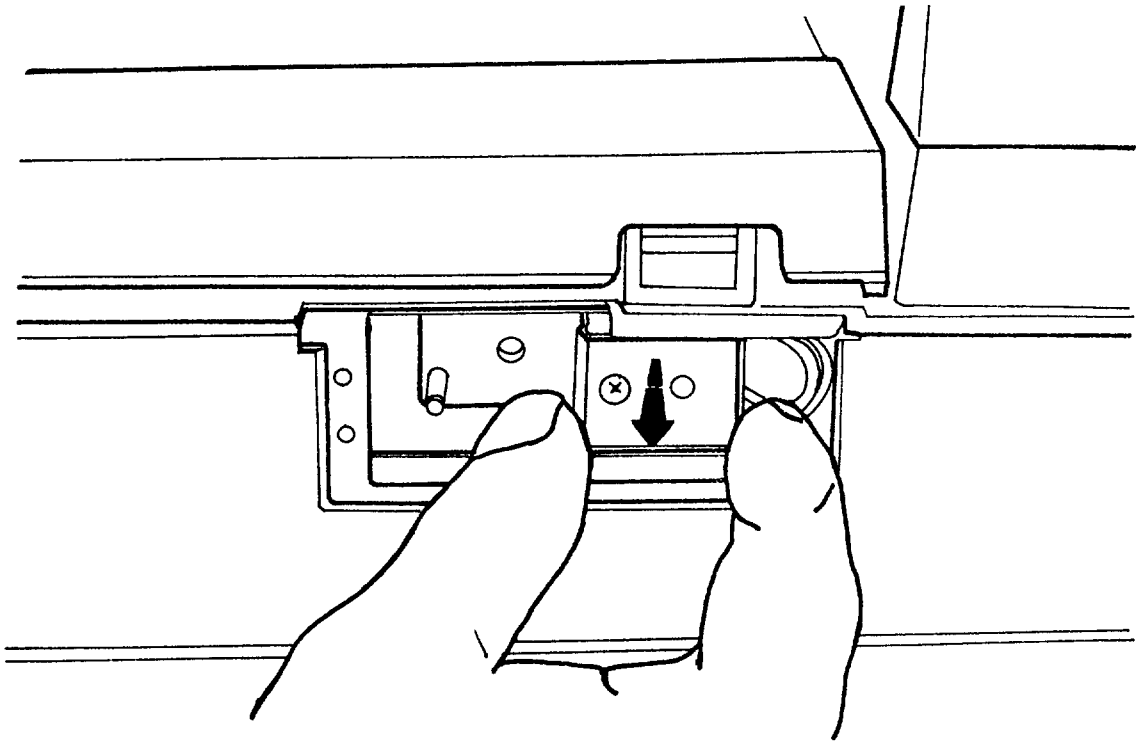


Figure 4.5 Replacement of the lamp unit:
Removal of metal plate (I)

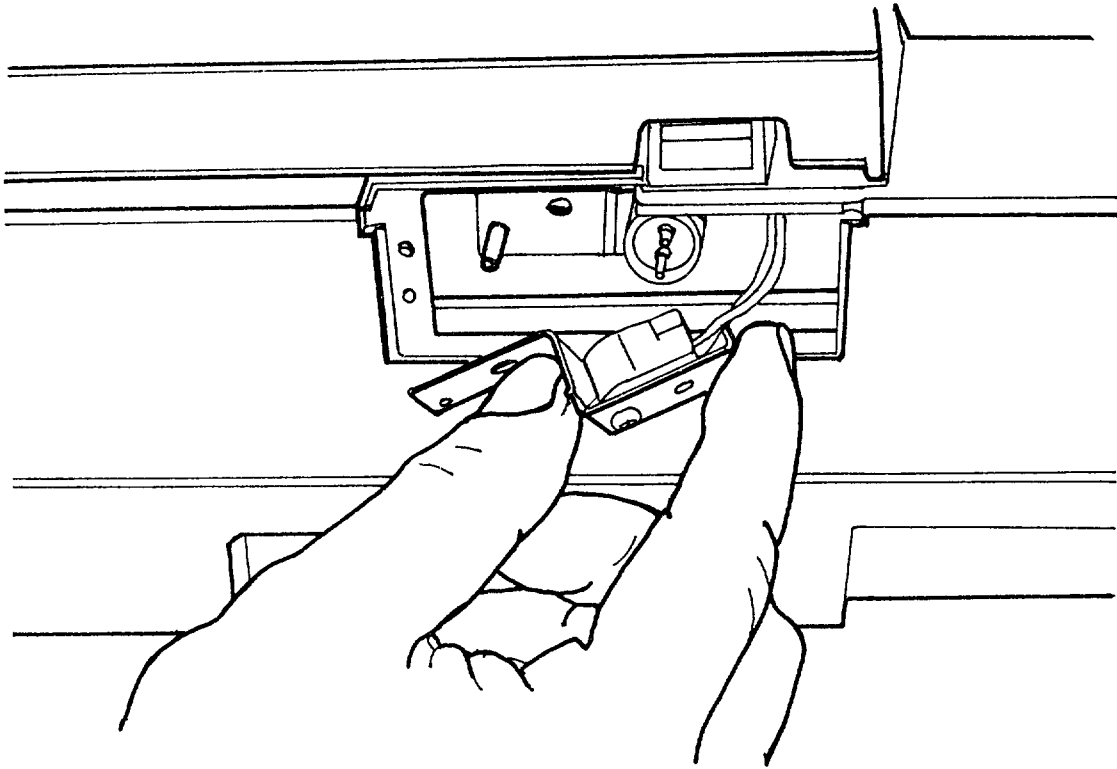


Figure 4.6 Replacement of the lamp unit:
Removal of metal plate (II)

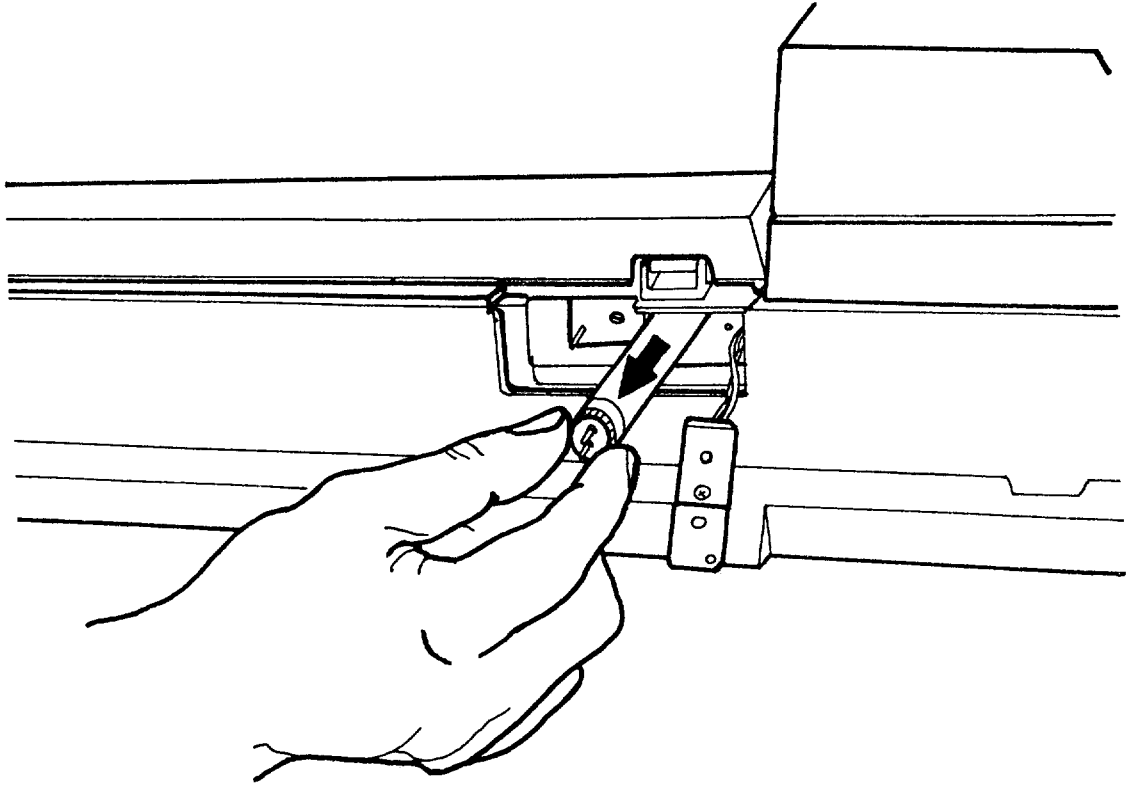


Figure 4.7 Replacement of the lamp unit:
Pull out that lamp

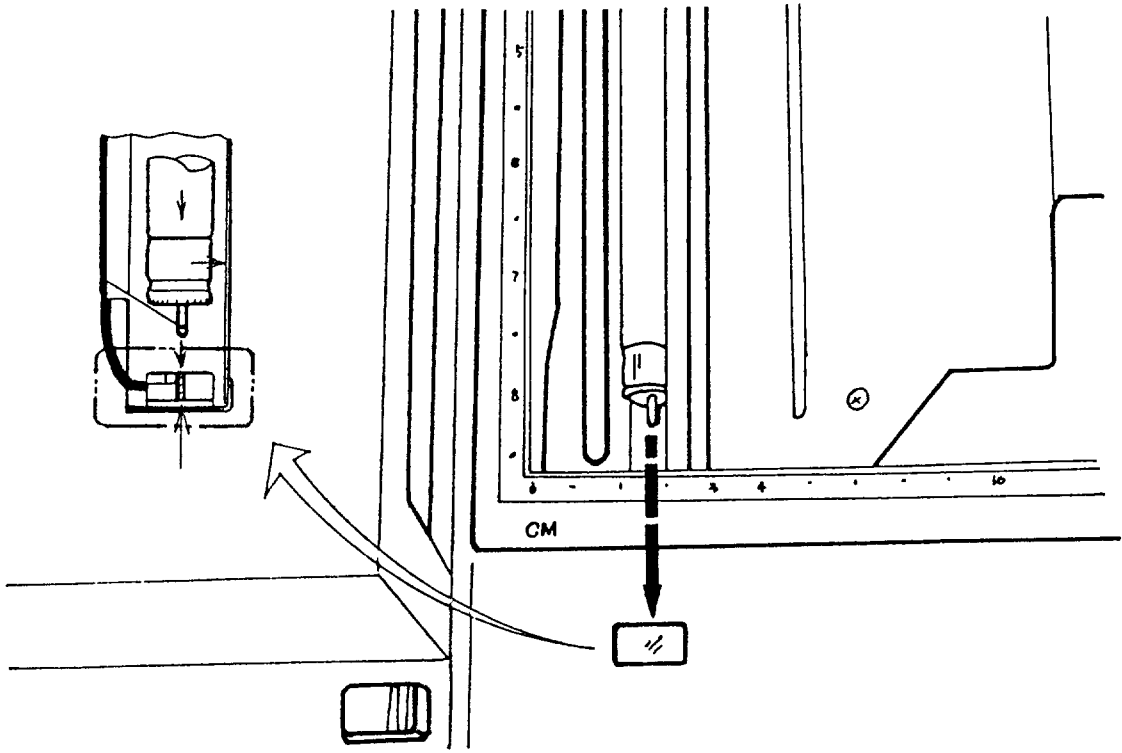


Figure 4.8 Replacement of the lamp unit:
Insertion of lamp

CHAPTER 5 PAPER JAMS

Should a paper jam occur in the ADF, use the following procedures.

1. Turn the scanner off.
2. Push the button near the front left side of the scanner as shown in Figure 5.1.
3. The ADF unit module will lift a little.
4. Lift the right side of the ADF module as far as possible.
5. Remove the jammed paper slowly as shown in Figure 5.2.

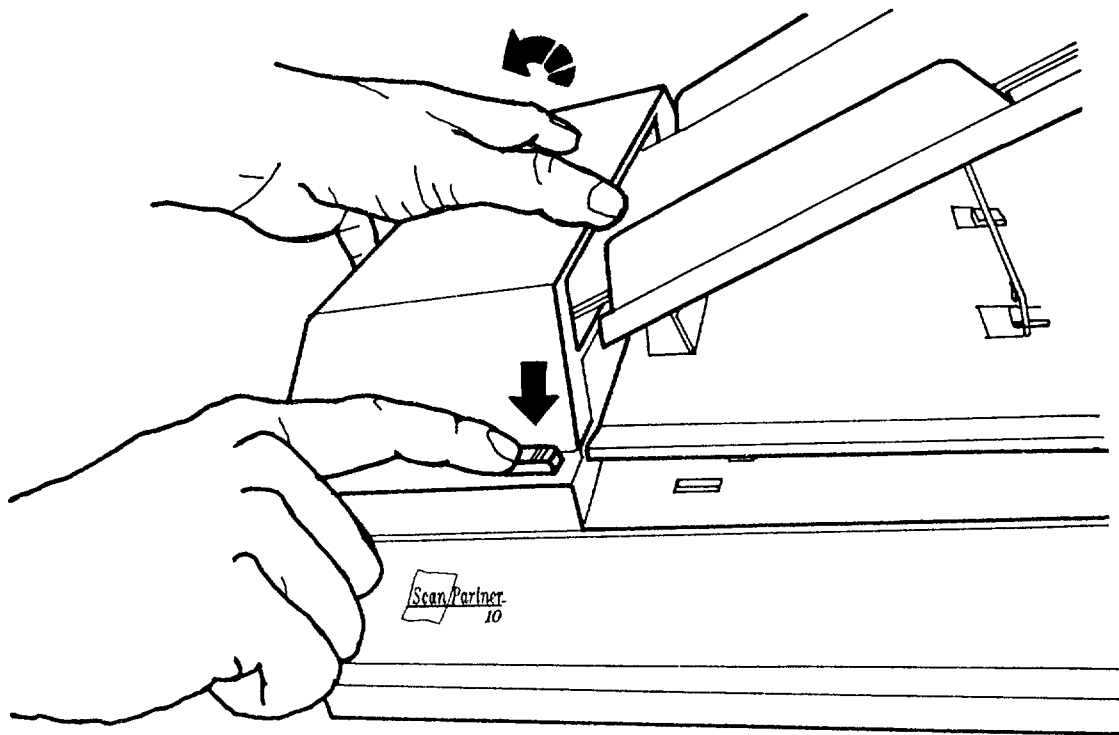


Figure 5.1 Paper Jammed: push the botton

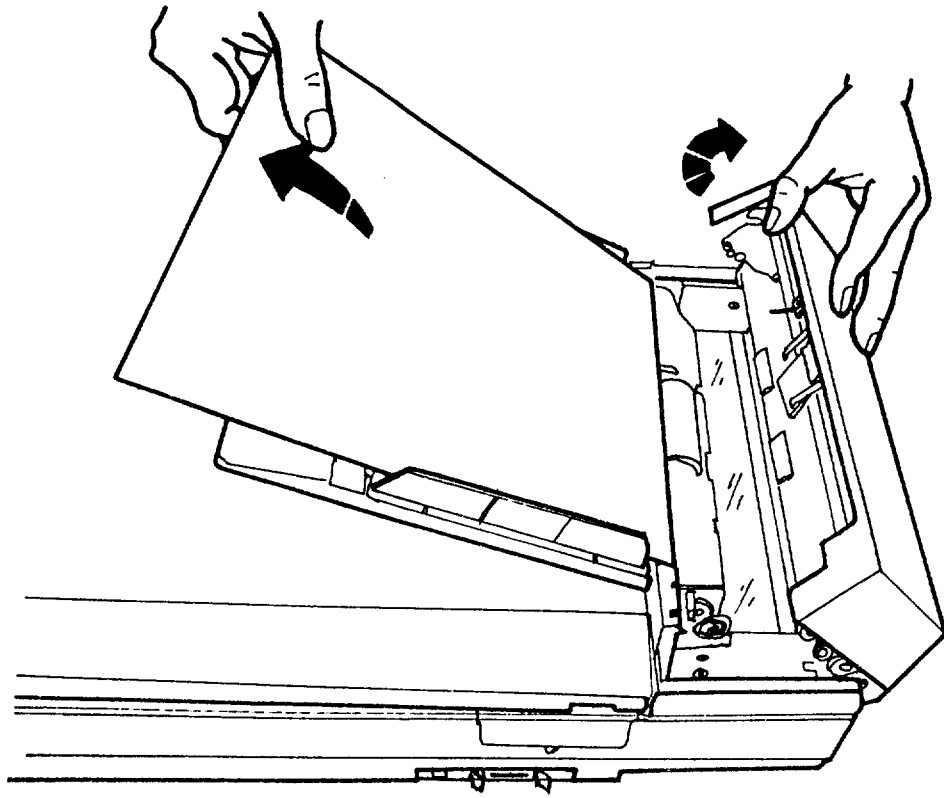


Figure 5.2 Paper Jammed: pull out the paper

CHAPTER 6: DIAGNOSTICS

The ScanPartner 10 runs a diagnostic operation when it is turned on. If the result is ok, the scanner will initialize itself and then enter the "READY" state.

There are three LEDs that can be seen on the panel. Each LED is assigned a name: READY, POWER, and JAM.

The "READY" state is indicated by the "READY" and "POWER" LEDs being on and the "JAM" LED being off.

If the diagnostic fails, the scanner will show the error message on LED displays as shown below.

Power

READY	JAM	Error Message
ON	ON	Paper Jam
OFF	Blinking	ADF Cover Open
Blinking	OFF	Lamp Fail

- 1. Paper Jam**
Please refer to Chapter 5 for removing the paper jam condition. After removing all the papers from the ADF, and JAM LED is still on after re-powering, please contact your nearest dealer or distributor.
- 2. ADF Cover Open**
Please refer to Chapter 5 for opening the ADF cover and closing it. Power off and then power on the scanner again. If this condition still exists, please contact your nearest dealer or distributor.
- 3. Lamp Fail**
This error means that the lamp being used may be burned out or the light is too dark due to aging. Please refer to Chapter 4 for replacing the new lamp. If necessary, please contact your nearest dealer for a new lamp. If the error still exists after the old lamp is replaced with a new one, please contact your nearest dealer or distributor.
- 4. POWER LED is off after the scanner is turned on**
 1. Check if the power cable is firmly plugged into the outlet and the power connector of the scanner.
 2. If the power is connected and POWER LED remains off, please contact your nearest dealer or distributor.
- 5. Note that if the "READY" and "JAM" LEDs blink simultaneously and constantly, please contact your nearest dealer or distributor. Such errors require a qualified technician for repair.**

